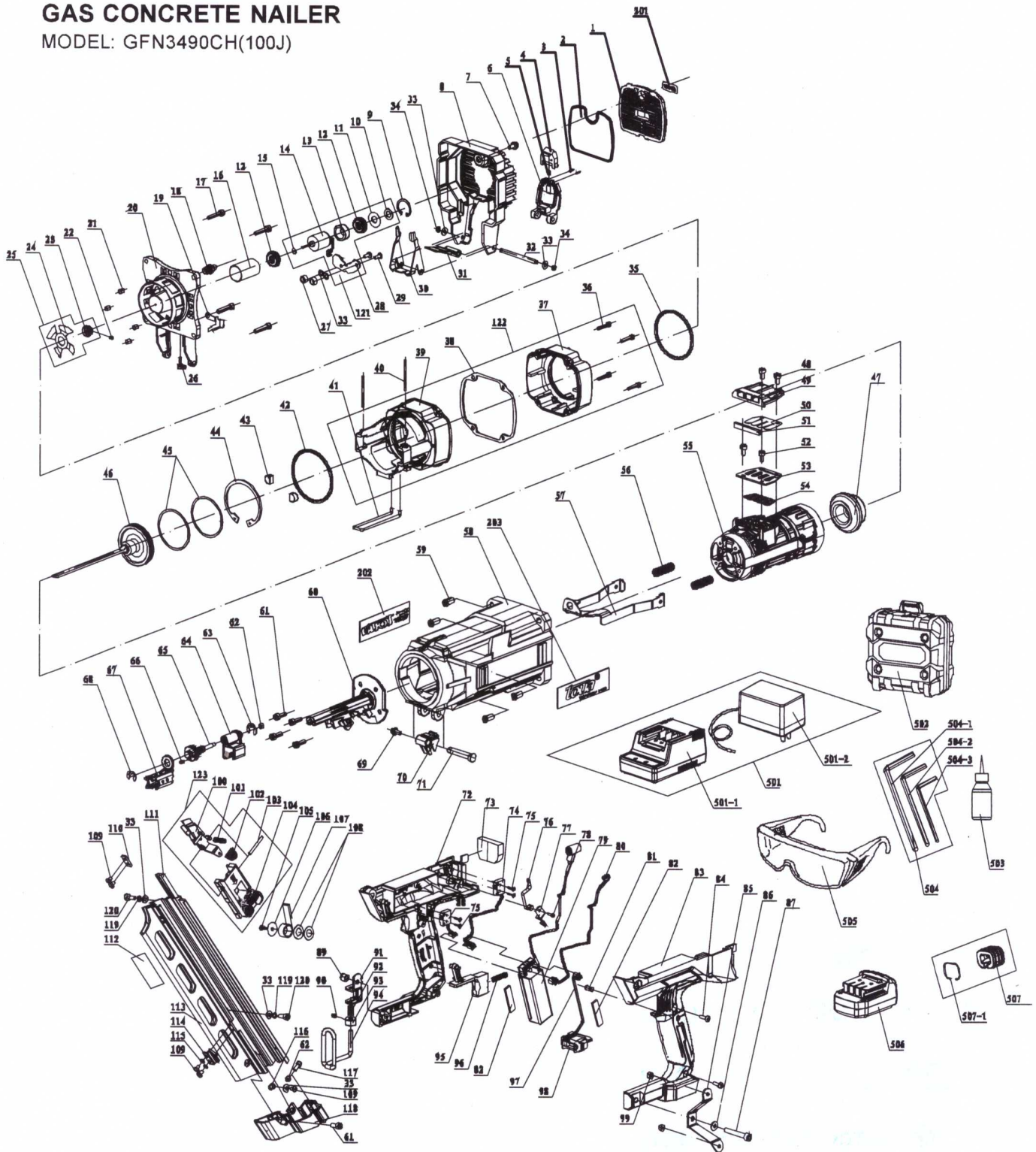


EXPLODED DRAWING AND PARTS LIST

GAS CONCRETE NAILER

MODEL: GFN3490CH(100J)



Note: screw torque and description

Torsion(Nm)	No.	Note	Torsion(Nm)	No.	Note
1~1.2	(22)	Thread glue (loctite277)	3.5~4	(63)	Thread glue (loctite277)
1.8~2	(68) (64)	Thread glue (loctite277)	5.5~6	(4)	Thread glue (loctite272)
3~3.5	(48) (52)	Thread glue (loctite277)			
	(100)	Thread glue (loctite272)			